

NEW VRF FLOOR CONSOLE

1 Stylish and simple

- Clean and modern European design with slim depth
- Modern matt white color panel
- Washable air filter

The stylish and compact unit profile, also used for residential market range, is easy to integrate into any design of building.

High end residential.



Dimension:
W x H x D = 750 x 600 x 207mm

Weight:
14kg

Cafe / Restaurant.

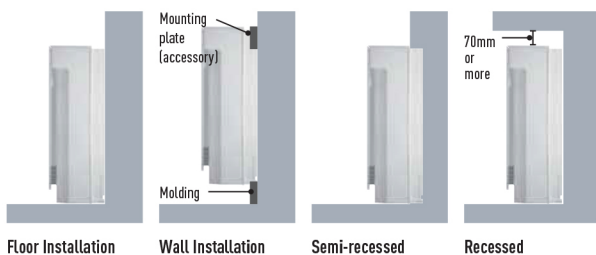


2 Flexible easy installation

Four different mounting styles possible:

- Exposed (floor or wall)
- Semi-recessed
- Recessed

Flexible installation with 4 different options.



The compact unit can be installed within a limited space, such as under a window. Thus, it is a perfect solution to replace an existing boiler system radiator.



3 Functions for comfort

- Double Air Flow direction to maximize comfort
- Self-cleaning function
- Compatible with New Commercial WLAN Adaptor for cloud control

Self-cleaning function.

- Self cleaning function can be pre-scheduled with remote controller, up to a maximum of 90 minutes following cooling/dry operation
- Air flow will not blow directly at occupants during self-cleaning

Double Air Flow direction.



New G1 Type Floor Console



NEW
2019

The stylish and compact unit profile, also used for residential market range, is easy to integrate into any design of building

Compact and versatile, this system is capable of being installed in an area with limited space.

It is a perfect solution for retrofit, replacing existing radiator panels.

Technical focus

- Clean and stylish design with slim depth
- Modern matt white color panel
- Flexible and easy installation
- Washable air filter
- Quiet operation
- Dry mode to reduce humidity in rooms
- New Cloud Control "Comfort Cloud" compatible



PAW-RE2C4
Optional Controller.
Control for hotel application.



CZ-RTC5B
Optional Controller.
Wired remote controller.
Compatible with Econavi.



CZ-CENSC1
Optional Econavi Sensor.



CZ-RWS3
Optional Controller.
Infrared remote controller.

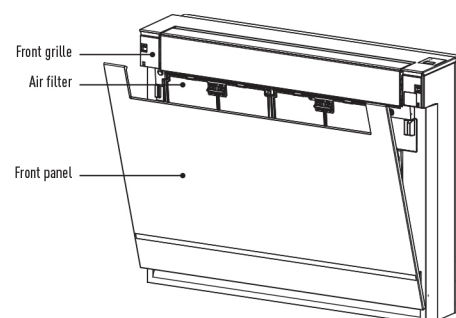
| Model | | S-22MG1E5A | S-28MG1E5A | S-36MG1E5A | S-45MG1E5A | S-56MG1E5A |
|---------------------------|----------------------|---------------------|-----------------|-----------------|-----------------|-----------------|
| Cooling capacity | kW | 2,20 | 2,80 | 3,60 | 4,50 | 5,60 |
| Input power cooling | W | 18,00 | 18,00 | 20,00 | 26,00 | 29,00 |
| Operating current cooling | A | 0,18 | 0,18 | 0,21 | 0,23 | 0,25 |
| Heating capacity | kW | 2,50 | 3,20 | 4,20 | 5,00 | 6,30 |
| Input power heating | W | 19,00 | 19,00 | 21,00 | 27,00 | 30,00 |
| Operating current heating | A | 0,18 | 0,18 | 0,22 | 0,24 | 0,26 |
| Fan type | | Cross flow | Cross flow | Cross flow | Cross flow | Cross flow |
| Air volume | Cool (Hi / Med / Lo) | m ³ /min | 9,20/7,50/6,00 | 9,20/7,50/6,00 | 9,70/8,20/6,00 | 10,50/9,00/6,50 |
| | Heat (Hi / Med / Lo) | m ³ /min | 9,70/8,00/6,50 | 9,70/8,00/6,50 | 10,20/8,70/6,50 | 11,00/9,50/7,00 |
| Sound pressure | Hi / Med / Lo | dB(A) | 38/34/29 | 38/34/29 | 39/35/29 | 42/37/30 |
| Dimension | H x W x D | mm | 600 x 750 x 207 | 600 x 750 x 207 | 600 x 750 x 207 | 600 x 750 x 207 |
| Net weight | | kg | 14 | 14 | 14 | 14 |
| Piping connections | Liquid pipe | Inch (mm) | 1/4 (6,35) | 1/4 (6,35) | 1/4 (6,35) | 1/4 (6,35) |
| | Gas pipe | Inch (mm) | 1/2 (12,70) | 1/2 (12,70) | 1/2 (12,70) | 1/2 (12,70) |

* Infrared remote controller (CZ-RWS3) doesn't need receiver as an optional. Receiver is included in the unit shipment.

Simple operation design for easy to use



Washable air filter



ECONAVI and INTERNET CONTROL: Optional.